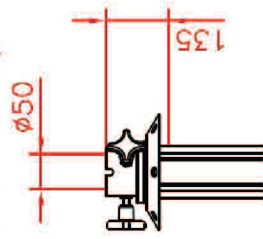
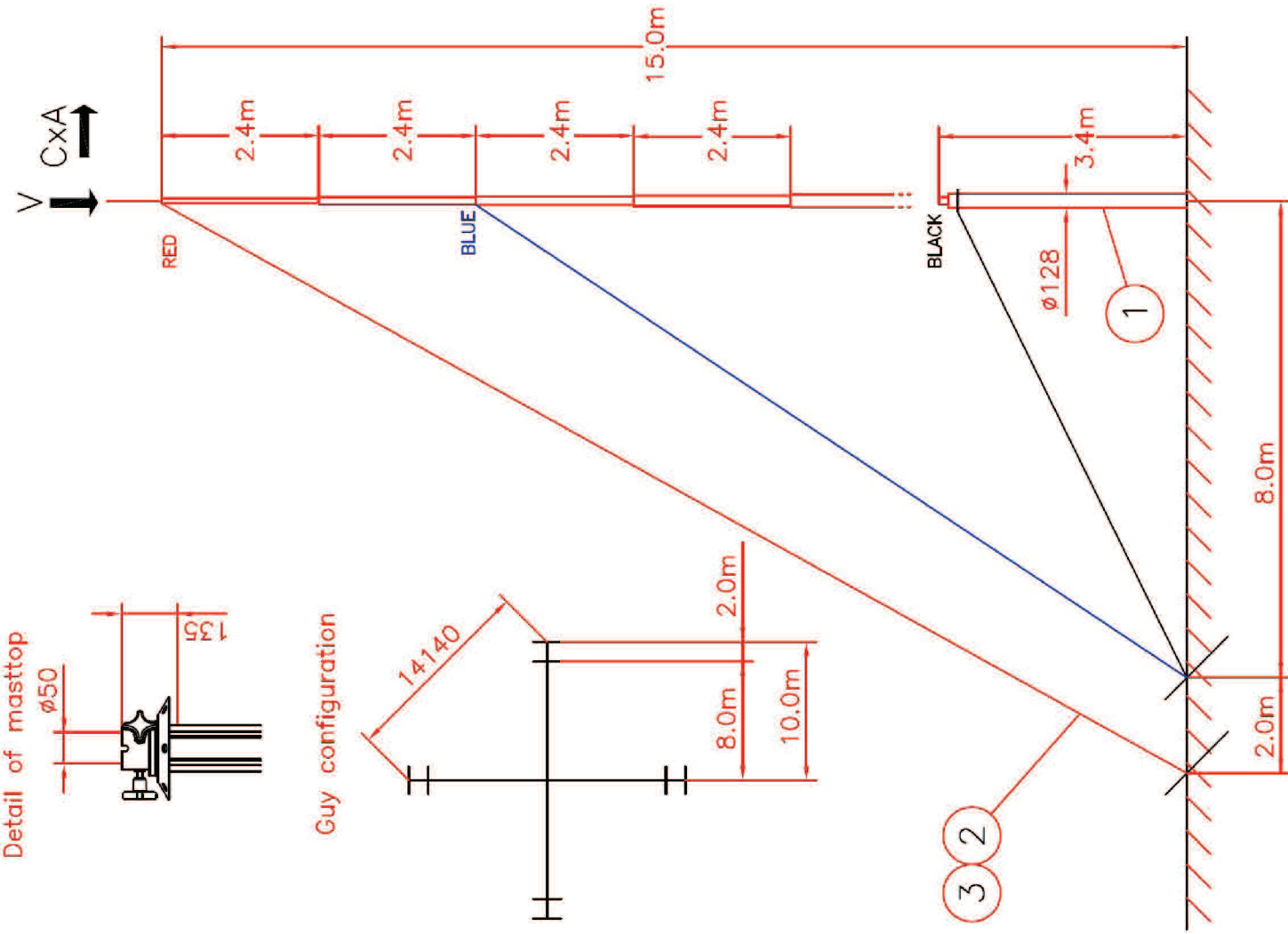
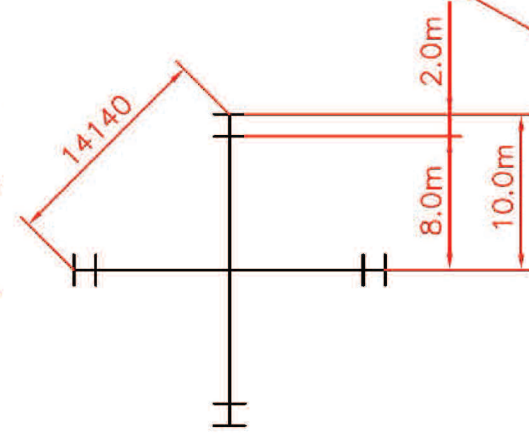


Detail of masttop



Guy configuration



**DESCRIPTION:**

The mast sections are made of pultruded and filament wound composite tubes with light metal and stainless steel fittings. The tubes are moving inside each other on guideways which prevent the various sections from turning, and keeps the mast itself stationary. Mechanical stops prevent overhoisting. All sections are automatically latched to each other. The mast is rotatable 360 degrees and can be locked in any position.

All guy accessories, guys with stretchreels, guystakes, etc, as well as the winch and baseplate are stored in two separate bags. The guyropes are made of aramide fiber covered with polyester. The guystakes are made of galvanized steel.

**TECHNICAL SPECIFICATION:**

		4-Guy Dir.
Extended height	m	15
Retracted length	m	3.4
Qty of guys	pcs	3x4
Guy radius	m	10
Max windspeed: Survival	mph	80
Operational	mph	60
Deployment	mph	29
Max windsurface CxA	m <sup>2</sup>	0.75
Max vertical topload V	kg	36
Deflection at 60 mph	deg	±3'
Weight: Mast	kg	36
Accessories	kg	40
Personal, deployment	prs	2
Colour of mast		Customer specification
Temperature operation	°C	-40 to +55
Storage	°C	-46 to +71

Contact Corporation  
1818 Roberts Street, Winchester, VA 22601  
Tel: 540-722-8716

Email: [ggroah@contactcorp.net](mailto:ggroah@contactcorp.net)  
[www.contactcorp.net](http://www.contactcorp.net)

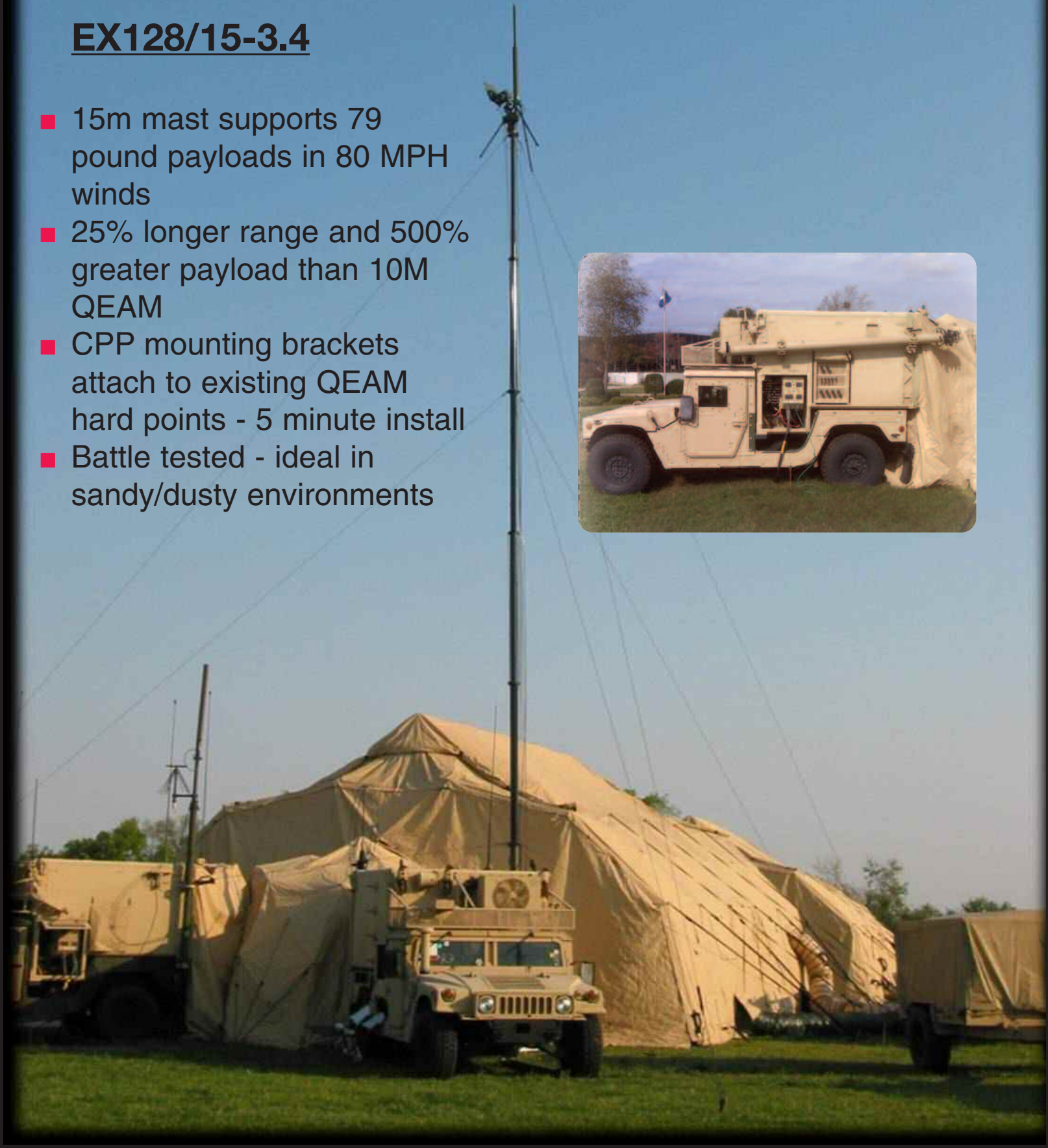
# CONTACT!



User Friendly Antenna Systems

## EX128/15-3.4

- 15m mast supports 79 pound payloads in 80 MPH winds
- 25% longer range and 500% greater payload than 10M QEAM
- CPP mounting brackets attach to existing QEAM hard points - 5 minute install
- Battle tested - ideal in sandy/dusty environments



Com 201 antenna  
(30 – 88 MHz)

Com 243 tri-band antenna  
(30 – 88 MHz)  
(225 – 45 MHz)  
(1350 – 1850 MHz)

EX 15m Mast

