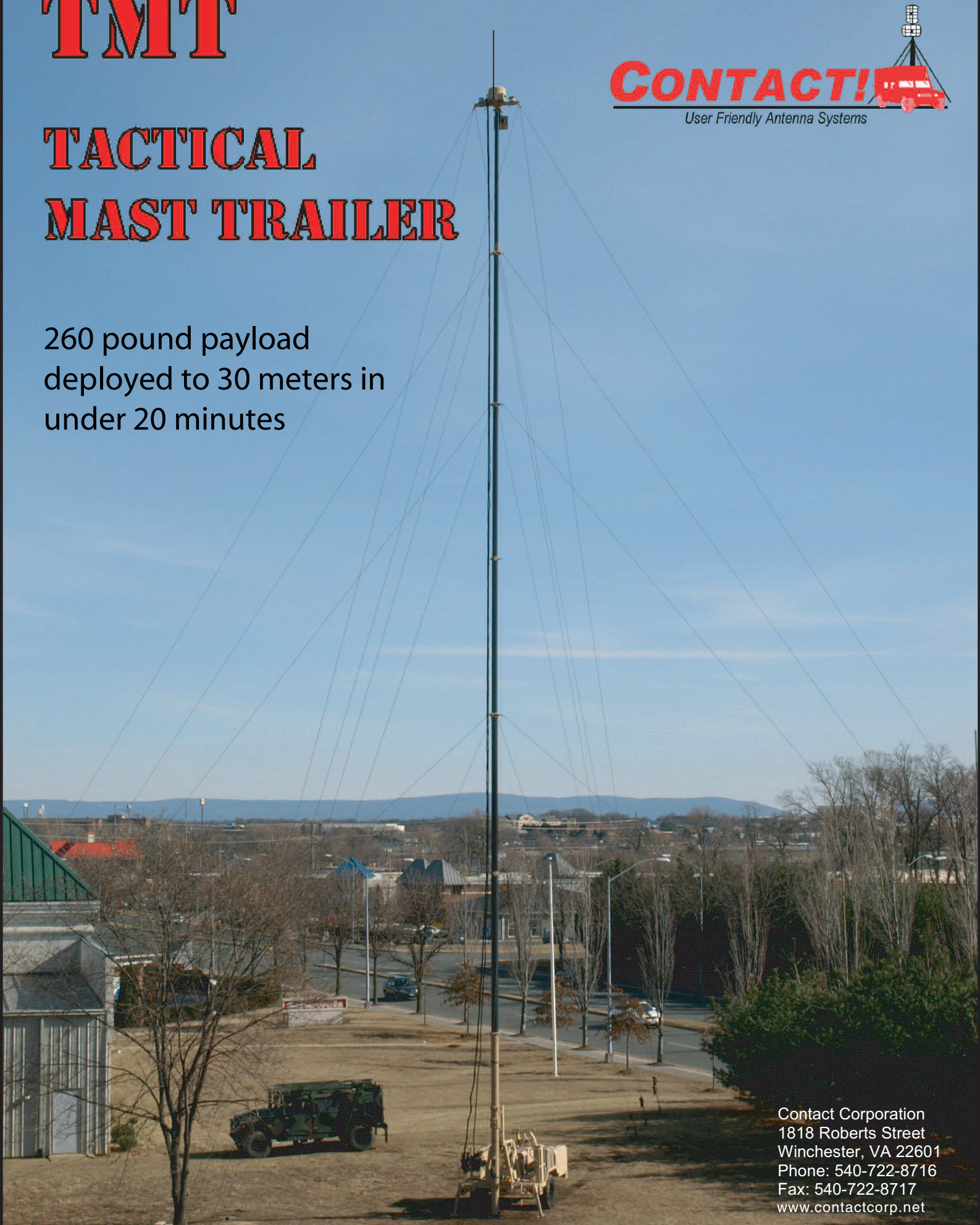


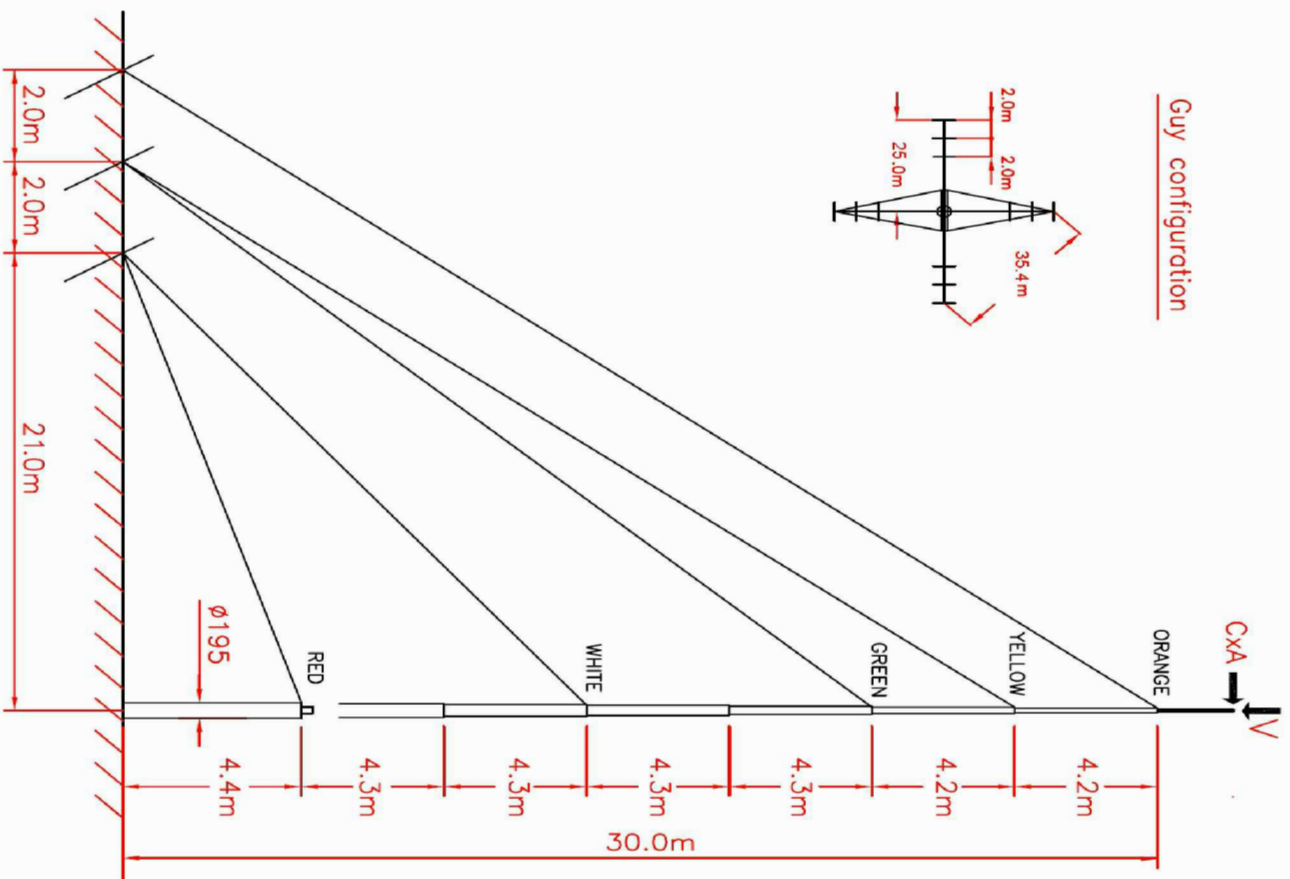
# TMT TACTICAL MAST TRAILER



260 pound payload  
deployed to 30 meters in  
under 20 minutes



Contact Corporation  
1818 Roberts Street  
Winchester, VA 22601  
Phone: 540-722-8716  
Fax: 540-722-8717  
www.contactcorp.net



#### DESCRIPTION:

The mast sections are made of pultruded and filament wound composite tubes with light metal and stainless steel fittings. The tubes telescope on guideways which prevent the various sections from twisting. Mechanical stops prevent overhoisting. Sections are automatically latched to each other. The mast is rotatable 360 degrees and can be locked at any azimuth. The guyropes are made of aramid fiber covered with polyester. The guystakes are made of galvanized steel.

#### TECHNICAL SPECIFICATION:

Extended mast height (m)	4-Guy Dir.
Retracted length (m)	30 (98.4 ft)
Qty of guys (pcs)	5.5 (18ft)
Guy radius (ft)	4x4 + 6x1
Max wind speed:	82
	80
	60
	25
	13
Max windsurface CxA [ft <sup>2</sup> ]	260
Max vertical topload V (lbs)	
Antennas + cables	
Deflection at oper. wind (deg)	± 2°
Weight:	280
Mast (lbs)	264
Accessories (lbs)	1-3
Personnel, deployment (prs)	



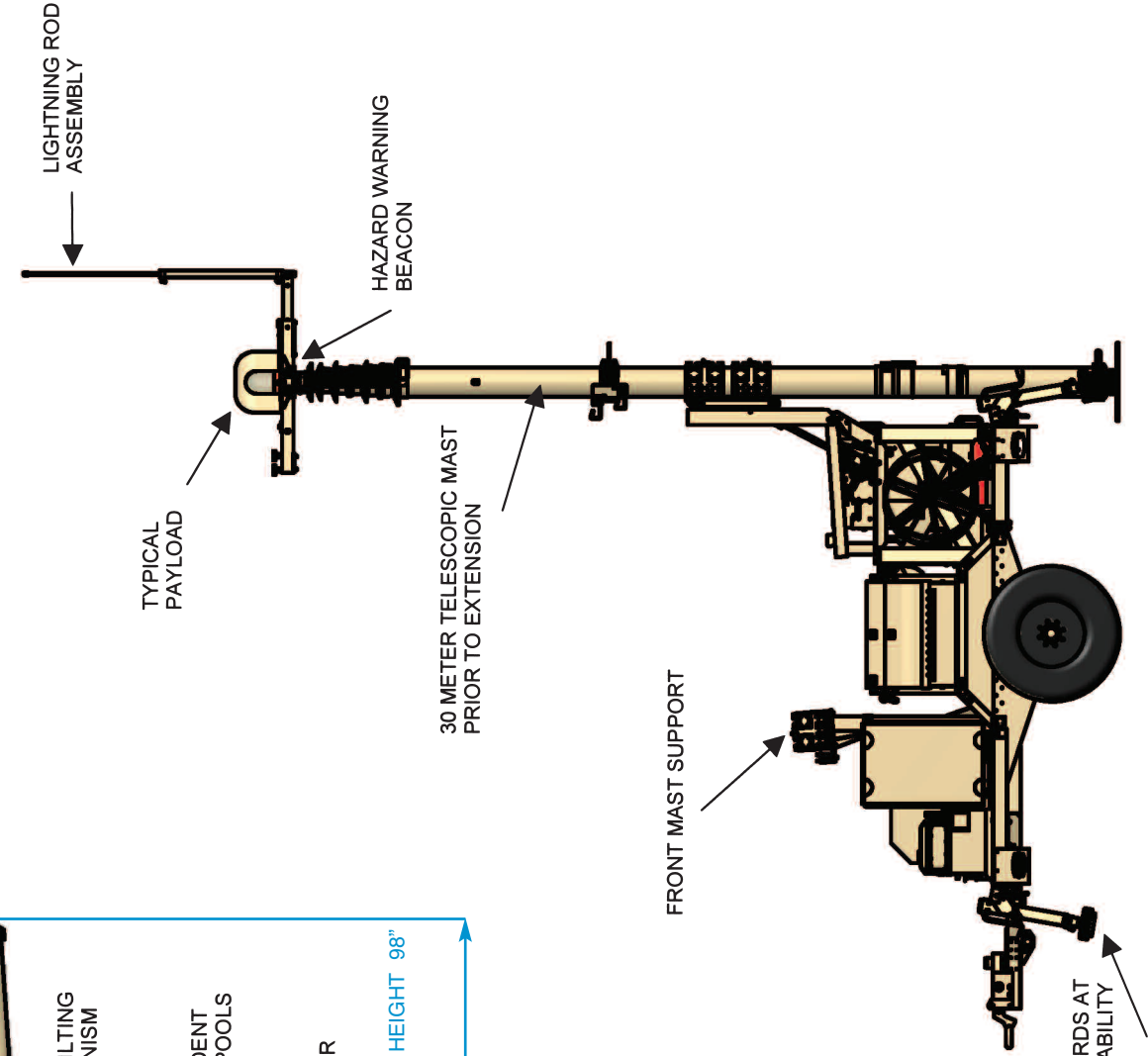
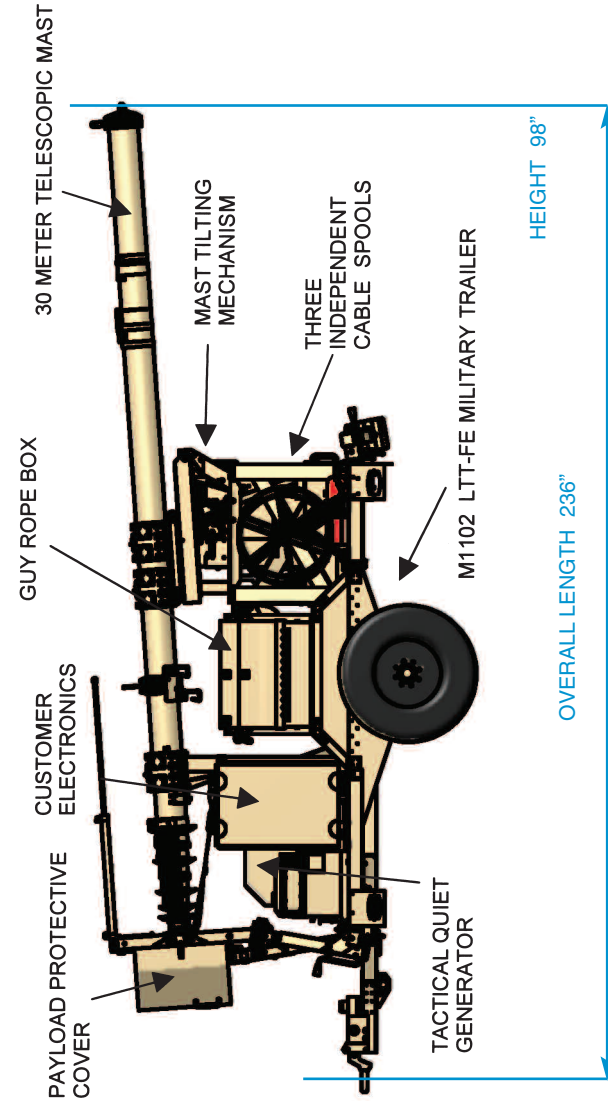
Contact Corporation  
1818 Roberts Street  
Winchester, VA 22601 USA

phone: 540-722-8716 fax: 540-722-8717  
ggroah@contactcorp.net www.contactcorp.net

# CONTACT'S TMT FEATURES

- Deployed to 30m height in under 20 minutes
- Supports up to 260 pounds in winds to 80 mph
- Towable by HMMWV (weighs under 4,200 lbs)
- C-130/Helo lift compatible
- Includes US Army standard 3kW TQG
- Fully militarized COTS system
- Suited to wide range of applications
- Can be tailored to customer requirements
- Deployable on slopes up to 10 degrees

## TRANSPORT CONDITION



## MAST READY TO EXTEND